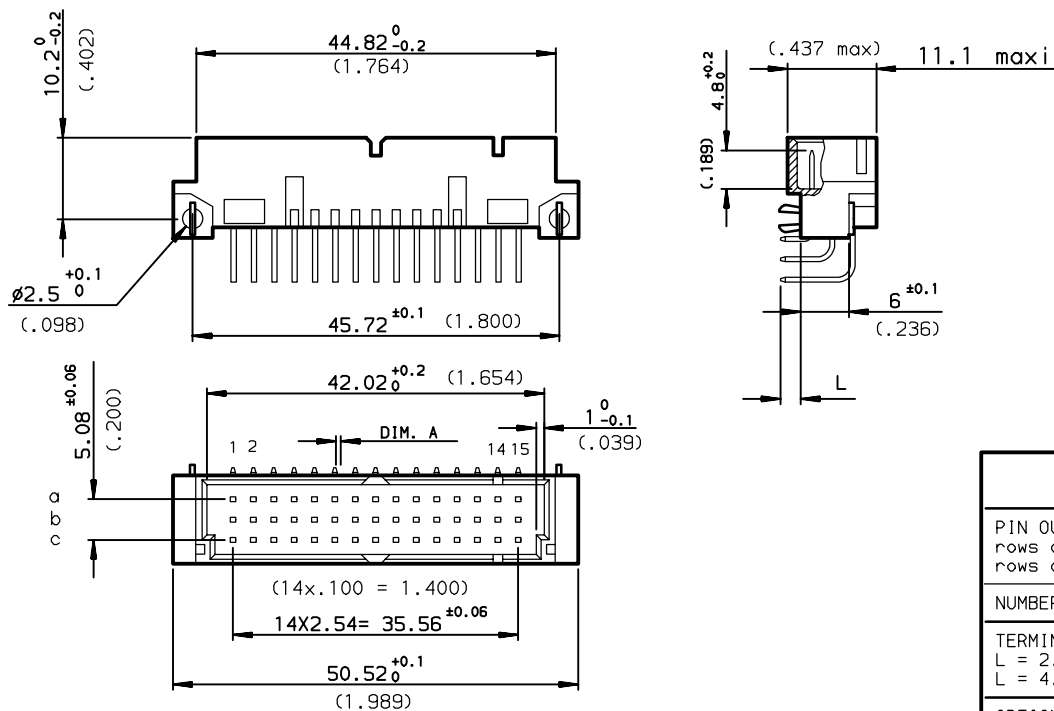
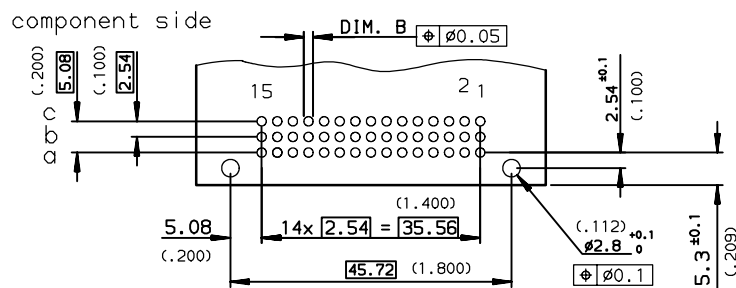


DIMENSIONS mm (inches)



PART NUMBER	8609			77				5	
PIN OUT	rows a-b-c	3	45						
	rows a-c	4	30						
NUMBER OF CONTACTS									
TERMINATION	L = 2.75 ± 0.15 (.108)	A = $\phi 0.6_{-0.08}^0$	B =					13	
	L = 4.15 ± 0.15 (.163)	A = 0.6X0.6	B = $\phi 1 \pm 0.1$					23	
OPTIONS	no option								7
	with harpoons								H
PERFORMANCE CLASS	DIN 41612 class 3								4
	DIN 41612 class 2								5
	DIN 41612 class 1								6
TERMINATION TYPE	TIN LEAD								000E1
	LEAD FREE								E1LF

PCB DRILLING



GENERAL CHARACTERISTICS AND ROHS INFORMATIONS:

SEE DRAWING C-8609-0000A

European Views

www.fciconnect.com		surface	tolerance std	projection	mm	
		ISO 1302 <input checked="" type="checkbox"/>	ISO 406 ISO 1101			
TOLERANCES UNLESS OTHERWISE SPECIFIED						
Dr	ROUILLARD	1997/10/30	0.X	± 0.1	size	Scale
Eng	TARON	1997/10/30	0.XX	± 0.1	A3	1.5
Chr	LEGARE	1997/10/30	0.XX' ± 2'	± 0.1	ECN	LS06-0095
Appr	LEGARE	1997/10/30	Product family	DIN 8609	Spec ref	-
		RIGHT ANGLE MALE - 45 CONTACTS			dwg no	C-8609-0657
		SOLDER TO BOARD			Rev.	D
catalog no		-			CUSTOMER	sheet 1 of 1

rev	ecn no	dr	date
B	-	-	1999/02/10
C	LS05-001	JTA	2005/03/01
D	LS06-0095	LGO	2006/06/22
-	-	-	-
-	-	-	-
-	-	-	-



Copyright FCI.